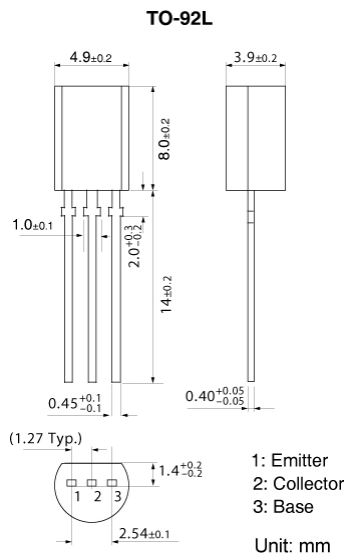


RoHS Compliant Product
A suffix of "-C" specifies halogen & lead-free

FEATURES

- Low frequency power amplifier
- Complementary pair with 2SD468



ABSOLUTE MAXIMUM RATINGS at Ta = 25°C

Parameter	Symbol	Ratings	Unit
Collector to Base Voltage	V_{CBO}	-25	V
Collector to Emitter Voltage	V_{CEO}	-20	V
Emitter to Base Voltage	V_{EBO}	-5	V
Collector Current - Continuous	I_C	-1	A
Total Power Dissipation	P_C	0.9	W
Junction, Storage Temperature	T_J, T_{STG}	+150, -55 ~ +150	°C

ABSOLUTE MAXIMUM RATINGS AND ELECTRICAL CHARACTERISTICS at Ta = 25°C

Symbol	Min.	Typ.	Max.	Unit	Test Conditions
$V_{(BR)CBO}$	-25	-	-	V	$I_C = -10 \mu A, I_E = 0$
$V_{(BR)CEO}$	-20	-	-	V	$I_C = -1 mA, I_B = 0$
$V_{(BR)EBO}$	-5	-	-	V	$I_E = -10 \mu A, I_C = 0$
I_{CBO}	-	-	-1	μA	$V_{CB} = -20 V, I_E = 0$
I_{EBO}	-	-	-1	μA	$V_{EB} = -4 V, I_C = 0$
$V_{CE(sat)}$	-	-	-0.5	V	$I_C = -0.8 A, I_B = -0.08 A$
V_{BE}	-	-	-1	V	$V_{CE} = -2 V, I_C = -0.5 A$
$h_{FE(1)}$	85	-	240		$V_{CE} = -2 V, I_C = -0.5 A$
f_T	-	350	-	MHz	$V_{CE} = -2 V, I_C = -0.5 A$
C_{ob}	-	38	-	pF	$V_{CB} = -10 V, I_E = 0, f = 1 MHz$

CLASSIFICATION OF $h_{FE(1)}$

Rank	B	C
Range	85 - 170	120 - 240

CHARACTERISTIC CURVES

